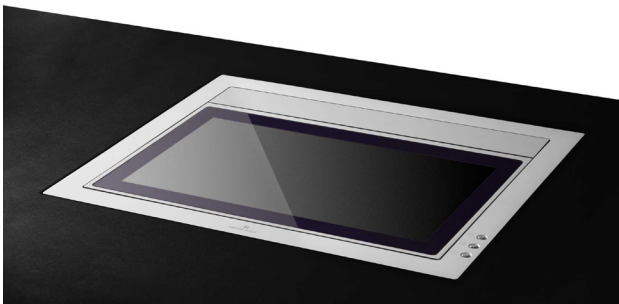


Dynamic3

Aluminium foldable and rotatable monitor



FEATURES

- Opens, rotates 180° & folds down
- Adjustable & memorisable tilt angle
- Automatic image flip
- Interactive setup display
- Maintenance free
- HDCP compliant
- Energy saving design
- Dual safety system
- Serial control & Remote diagnose

GENERAL

Dynamic3 monitors have been designed for installation into tables or desks. Built entirely of aluminium and black edged anti-glare glass, the Dynamic3 monitors offer a discreet and timeless design.

The anodised finish provides a soft, silky effect, is extremely resilient and also serves to dissipate heat. The glass protects the screen, reduces “mirror” effect, allows for natural transparent colour and can work as a touch surface. Integration into furniture is extremely easy. The back of the monitor can be veneered with different materials to allow

for a uniform table finish when the screen is folded. The screen rises and leans, has an additional 180° rotation movement, and retracts inside the work surface in two different positions, with the monitor oriented up or down and the screen’s lifting system automatically activates the elevation of the keyboard and mouse tray.

The touchscreen can be used in a completely flat position, flush with the work surface. Dynamic3 monitors are available in 15.6”, 17.3”, 18.5” & 21.5”.

TECHNICAL SPECIFICATIONS

Display

Size	FULL HD 18.5" Active Matrix
Resolution	1920 (h) x 1080 (v)
Brightness	400cd/m ²
Contrast ratio	1500:1
Pixel	0.213 (h) x 0.213 (v) mm
Viewing angle	85°/85° (u/d) / /85°/85° (l/r)
Viewing area	408.96 (h) x 230.04 (v) mm
LED backlight lifespan	50.000 hrs
Response time	Tr + Tf = 35 ms
Temperature (operating/storage)	Operating 0°C – +40°C Storage -20°C – +60°C

Materials

Frame	Anodised Aluminium
Glass	AR 2-side with an anti-reflective coating on the glass surface. Thickness: 3.0 ± 0.3 mm
Cover plate	Anodised aluminium, matt or prepared for underneath installation (to be veneered)

Connectivity

Input signal	DVI-I (1 input) – HDCP Compliant DVI-D (1 input) – HDCP Compliant
RJ45 CAT5 (with loop)	Addressable RS422 monitor control by AHnet protocol
GPI (SubD9)	Movements control

Control

RJ45, RS-422 (I/O)
Addressing
Termination switch
GPI
IR Remote control (monitor adjustments): 1 / 5

Movement's Control

User interface on monitor	(Up/Down)
Remote	RS-422 I/O/GPI

Electrical

Low voltage (external power supply)	100-240Vac, 47/63Hz, 12Vdc
Power consumption	55W

Mechanical

Dimensions	542 x 435 x 102.5 mm [21.34"x17.13"x4.03"]
Weight	18.8 Kg
Shipping Dimensions:	
Weight	19.8 Kg / 43.6 lbs
Shipping Box	582 x 506 x 212 mm

OPTIONS

- DynamicLoop
- DynamicShare
- Keyboard & mouse
- USB camera for 15.6", 17.3" & 18.5" monitors
- Composite video camera for 15.6", 17.3" & 18.5" monitors
- HD-SDI camera
- USB integrated on cover plate
- 2 USB integrated on cover plate

- USB power integrated on cover plate
- Customised cover plate with speaker, voting system, USB connector
- Prepared for underneath installation, cover plate prepared to be veneered
- Additional Customised laser engraved logotype on the cover plate
- Monitor housing anodised in different colours

CERTIFICATIONS

- CE

WARRANTY

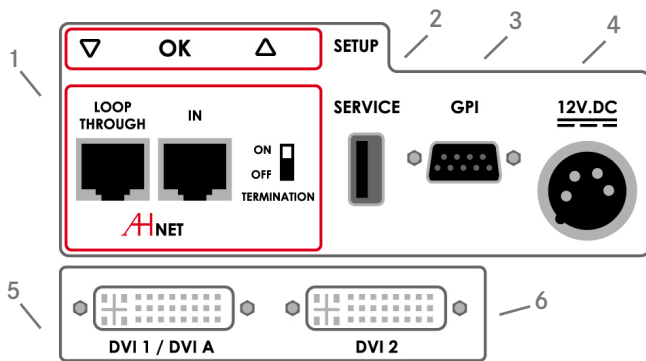
- 2 years general warranty

ARTHUR HOLM

Albiral Display Solutions SL · Fàtima, 25 Sant Hipòlit de Voltregà 08512 Bcelona, Spain · +34 938 502 376 · marketing@arthurholm.com
www.arthurholm.com

Arthur Holm is a registered brand of Albiral Display Solutions SL. Specifications subject to change without previous notice.

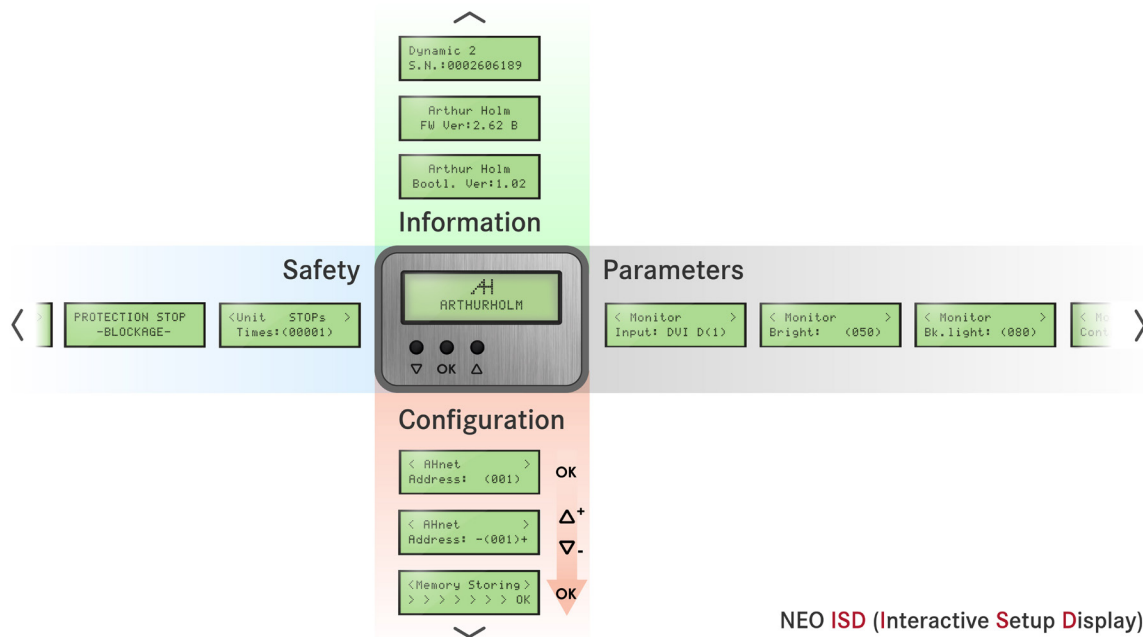
CONNECTIVITY PANEL



CONNECTIVITY

- 1- AHnet control interface
- 2- USB for Service
- 3- GPI control
- 4- Power input
- 5- DVI 1 / DVI A video input
- 6- DVI 2 video input

INTERACTIVE SETUP DISPLAY



NEO ISD (Interactive Setup Display)

ARCHITECT'S SPECIFICATIONS

Low voltage foldable rotatable FULL HD 18.5" widescreen motorised monitor. Screen housing milled out of solid aluminum in natural anodized finishing and aluminum cover frame. Front double sided anti-reflective 3 mm black edged glass. Motorised folding and rotation movement. Two working positions: horizontal position with the screen facing up and vertical position within 110 and 90 adjustable degrees. Storage position with the screen facing down with automatic screen switch-off system. DVI-I and DVI-D connectors, HDCP compliant inputs.

Easy to read Interactive Set-Up Display (ISD) 2.2" LCD display, allowing local and remote configuration, operation and troubleshooting without having to remove the monitor from the furniture. When connected to the AH ERT interface,

the assisted addressing system facilitates the address configuration, by just simply pressing one button in an easy and convenient way. Embedded speed and protection presets for quick restore to factory values (enabling a rapid reset to factory values if required). Autocheck feature for auto-diagnostic and internal protection functions. USB port for local firmware upgrade. Safety system that detects obstructions (causing unit to stop).

Adjustable mechanical parameters through AHnet or ISD for calibration and adjustment of mechanics. Adjustable parameters of brightness, contrast and backlight through RS- 422. External power supply with 4-Pin XLR4 connector. Rear connectivity. Total depth of 102 mm for easier integration in the furniture.

ARTHUR HOLM

Albiral Display Solutions SL · Fàtima, 25 Sant Hipòlit de Voltregà 08512 Bcelona, Spain · +34 938 502 376 · marketing@arthurholm.com
www.arthurholm.com

Arthur Holm is a registered brand of Albiral Display Solutions SL. Specifications subject to change without previous notice.

GENERAL DIMENSIONS

